

PRODUCT INFORMATION PACKET

Model No: 5K46KN2172

Catalog No: K223

1.5 HP General Purpose Pump Motor, 3 phase, 3600 RPM, 208-230/460 V, 56J Frame, ODP
General Purpose Pump Three Phase Motors



Regal and Marathon are trademarks of Regal Beloit Corporation or one of its affiliated companies.
©2020 Regal Beloit Corporation, All Rights Reserved. MC017097E

REGAL

Nameplate Specifications

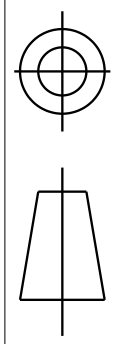
Output HP	1.50 Hp	Output KW	1.1 kW
Frequency	60 Hz	Voltage	208-230/460 V
Current	5.0-4.8,2.4 A	Speed	3450 rpm
Service Factor	1.3	Phase	3
Efficiency	77 %	Power Factor	0
Duty	Continuous	Insulation Class	B
Design Code	B	KVA Code	K
Frame	56J	Enclosure	Drip Proof
Thermal Protection	N/R	Ambient Temperature	40 °C
Drive End Bearing Size	6203	Opp Drive End Bearing Size	6203
UL	Recognized	CSA	Yes
CE	N		

Technical Specifications

Electrical Type	Three Phase	Starting Method	N/R
Poles	2	Rotation	Counterclockwise/Clockwise
Mounting	Round	Motor Orientation	ANY
Drive End Bearing	LOCKED	Opp Drive End Bearing	Ball
Frame Material	Rolled Steel	Overall Length	11.24 in
Frame Length	6.55 in	Shaft Diameter	0.630 in
Shaft Extension	2.39 in		
Connection Drawing	113A930FIG2	Outline Drawing	52A109647P1

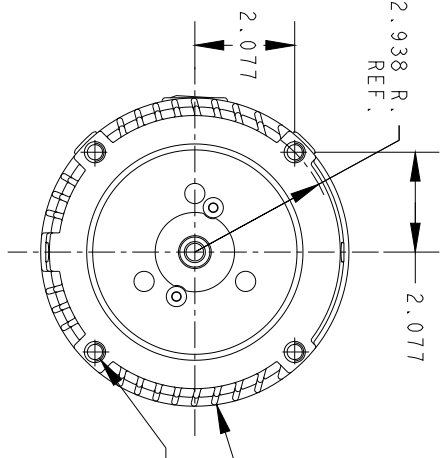
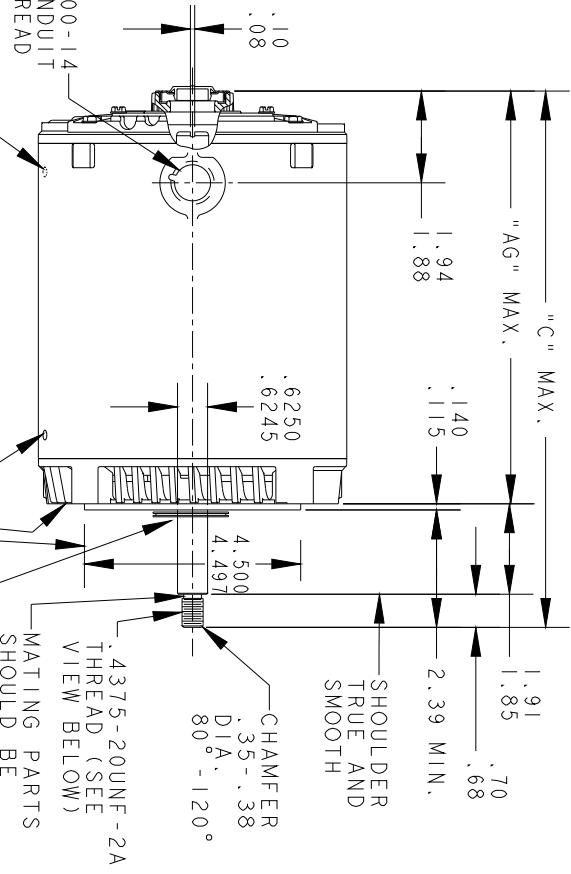
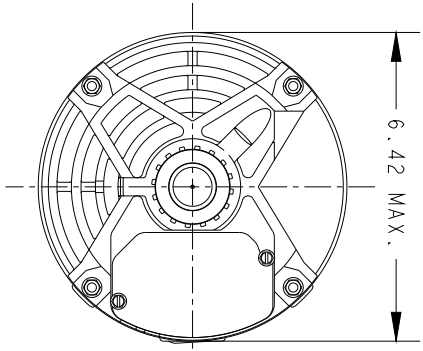
This is an uncontrolled document once printed or downloaded and is subject to change without notice. Date Created:03/11/2020

THIRD ANGLE PROJECTION



REVISIONS

REV.	DESCRIPTION	DATE	APPROVED
1	ADDED PARTS #2 & #3.	07/28/94	M.D. PAPE
2	CHG TO RBC FORMAT PER IS05-1777	03/22/06	SUDHA
3	"SLINGER" ADDED AS PER IS11-5514	12/01/2012	KOTI



VIEW OF P.E. END SHIELD

.375-16UNC-2B (4 HOLES) .70 MIN. FULL THREAD. THESE HOLES FIT A GAGE HAVING A RABBIT 4.5005 DIA. AND 4 PINS .2917 DIA. LOCATED ON THE BASIC HOLE POSITION

ECCENTRICITY OF THIRD. PORTION OF SHAFT IS HELD WITHIN .004 TOTAL GAGE READING WITH THE INDICATOR ON THE O.D. OF THE GROUND RING GAGE AS SHOWN. THE GAGE BEING STATIONARY WITH RESPECT TO THE ROTOR.

WATER SLINGER (WHEN SPECIFIED)

GAGING POINT

2.00

ALL DIMENSIONS ARE IN INCHES

3	K	48	56 J	13.12	10.49
2	K	49 <td>56 J <td>11.84</td> <td>9.21</td> </td>	56 J <td>11.84</td> <td>9.21</td>	11.84	9.21
1	K	46 <td>56 J <td>11.24</td> <td>8.61</td> </td>	56 J <td>11.24</td> <td>8.61</td>	11.24	8.61
P	TYPE	GE	NEMA	"C"	"AG"
		SIZE	FR.		

MIN. SHELL



REGAL-BELOTT CORPORATION

OUTLINE

TITLE
JET PUMP MOTOR - DRIP PROOF - BALL BEARING R2 END MOUNTED FWF - 40 FRAME REDESIGN

FOR ADDITIONAL INFO REFER TO:	
APPLIED PRACTICES	ISSUED
DIMENSIONS ARE IN INCHES	M.D. PAPE
MATERIAL	SOLID MODEL: 52A109647

SIGNATURES		DATE
MODEL	M.D. PAPE	07/13/94
DETAIL		
CHECKED		
ENGRG		
MFG		
QUALITY		
ISSUED	M.D. PAPE	07/13/94

SCALE: 0.250 REF. No: . SHEET 1 of 1

52A109647

REV 3

REVISIONS

REV.	DESCRIPTION	DATE	APPROVED
1	CHG TO RBC FORMAT PER IS05-1777	06/15/06	MADHU
2	RENAMED 113A930-FIG-2 TO 113A930FIG2 PER IS07-0972	05/08/07	MADHU

This document is the property of REGAL-BELOIT CORPORATION ("RBC") including its subsidiaries and divisions and contains proprietary information of RBC. This document is loaned on the express condition that neither the recipient nor any other person shall be permitted to disclose or disseminate the information contained herein and that the recipient shall return this document to RBC upon its request. This document shall be restricted to RBC upon its request. This document may be subject to certain restrictions under U.S. export control laws and regulations.

THIRD ANGLE PROJECTION

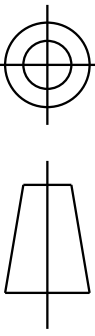
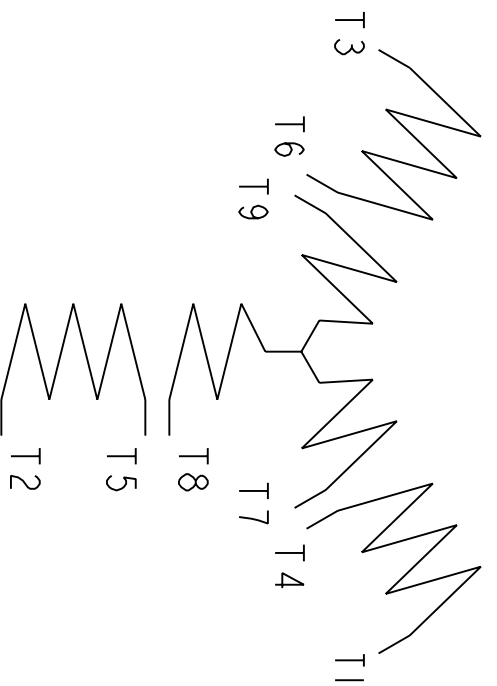


FIG. 2

3 PHASE



	VOLTS	L1	L2	L3	TOGETHER
2Y	LOW	1-7	2-8	3-9	4-5-6
1Y	HIGH	1	2	3	4-7, 5-8, 6-9

BRAKE MOTORS : CONNECT BRAKE LEADS B1 & B2 TO MOTOR LEADS T7 & T8.

FOR ADDITIONAL INFO REFER TO:	SIGNATURES	DATE
APPLIED PRACTICES	M.D. PAPE	02/23/03
DIMENSIONS ARE IN INCHES	DETAIL	.
TOLERANCE ON:	CHECKED	.
1 PL DECIMALS ± 0.1	ENGRG	.
2 PL DECIMALS ± 0.02	MFG	.
3 PL DECIMALS ± 0.005	QUALITY	.
ANGLES ± 1.0	ISSUED	M.D. PAPE
FRACTIONS ±	FINISH	02/23/03
MATERIAL	SOLID MODEL: 113A930F162	



REGAL-BELOIT CORPORATION

CONNECTION DIAGRAM

TITLE	SIZE	DRAWING	REV
	A		2
SCALE: 1.000	REF. No:		SHEET 1 of 1